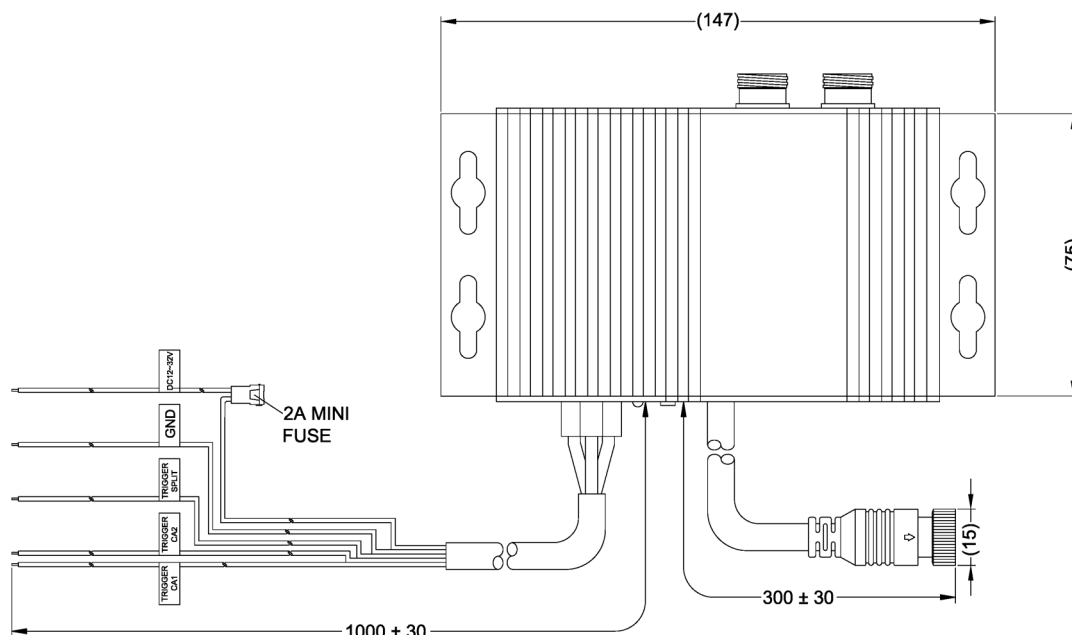


Product Specification



Brigade Model Number: **SS-002**
 Brigade Part Number: **3044B**



Product Specification

Dimensions: mm

Environmental Specifications:

- Shock Rating: 50 G
- Vibration Rating: 10 G
- Connectors / ECU IP Rating: IP67 / IP30
- Operating Temperature: -30 to +70°C
- Storage Temperature: -40 to +85°C

Approved Standards:

- CE - (EN 61000-6-2:2005 + AC:2005) / (EN 61000-6-3:2007 + A1:2011 + AC:2012)
- FCC - (47 CFR Part 15 Subpart B)
- IC - (ICES -003 Issue 6)
- 'E' Mark - (ECE Regulation 10 Rev 05) (ECE Regulation 46 Rev. 06 with VBV-770M/ VBV-770DM/ BE-870LM)
- RoHS 2
- WEEE

Technical Specifications:

- Operating Voltage: 12 / 24 Vdc
- Current Consumption: ≤ 0.6A @ 12 Vdc
- Power Consumption: ≤ 7.2 W @ 12 Vdc
- TV System: PAL or NTSC
- Number of Video Inputs: 2 Camera
- Number of Triggers In: 3
- Shutter Function on Channels: See Features
- Tilt Function on Channels: None
- Mirror/Normal: All Channels
- Cable Thickness:
 - Power Cables: 20 AWG
 - Trigger Cables: 20 AWG
- Installed Weight: 380 grams

Technical Specifications Continued...

- Video Input: 1.0 Vp-p / 75Ω
- Video Output: 1.0 Vp-p / 75Ω
- Length of Cable:
 - Cable Adapter: 1000mm ± 30mm
 - Audio / Video Out: 300mm ± 30mm
- Overall Dimensions: 147 mm (L) x 78 mm (W) x 37 mm (H)
- Casing Colour & Material: Black Aluminium

Features:

- Combines 2 video images into split screen view and also enables each image in single view
- 2 Camera inputs and one video output
- 3 trigger inputs for selection of split or single view
- Horizontal Normal/Horizontal Mirror/Vertical Flip/Vertical Normal switching
- TV system: PAL or NTSC selectable by push button located on the ECU
- Single Button Setup
- Audio input available from Camera 1
- Compatible with Select (Via AC-035) and Elite Shutter (Via TS-1000-ECU) cameras
- Compatible across Brigade camera monitor range (AC-007 required for Elite series)

Package Contents:

- 1 x SS-002-ECU - Control Unit
- 1 x SS-002-CA - Cable Adapter
- 1 x SS-002-IG - Installation Guide

Brigade House The Mills Station Road South Darenth Kent DA4 9BD

Technical +44 (0) 1322 420347 marketing@brigade-electronics.com www.brigade-electronics.com

Specifications Subject To Change Without Notice



PS(3044B)01 SS-002